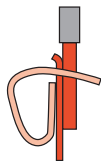


Z-Series / Tension clamp connection technology



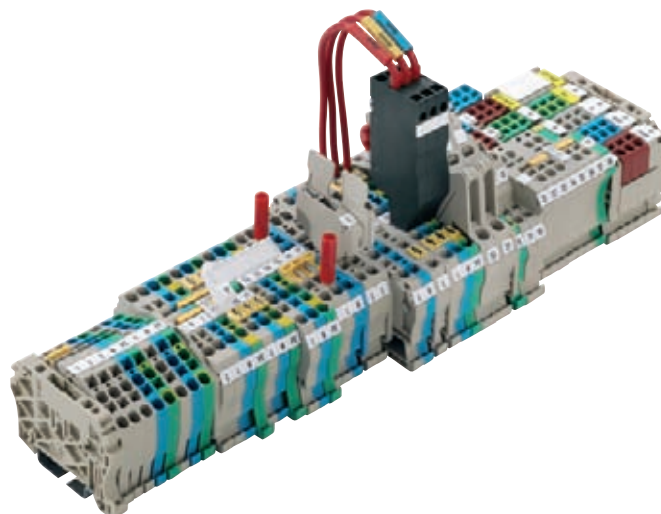
Modular terminals with tension clamp connections – the Z-Series – were specially designed to meet customers' requirements:

Compact size, generous marking surfaces, integral test point, cross-connection options within the Z-Series and to other Weidmüller modular terminals.

D

The Z-Series terminals have a wide clamping range and can accommodate one or two cross-connection channels.

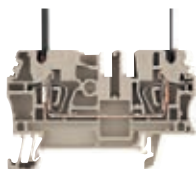
The plug-in standard cross-connections enable potentials to be distributed over any number of terminals.



Versions

Z-Standard

- Conductor cross-sections from 0.13 to 16 mm²
- Top-entry conductor insertion parallel with screwdriver operation



Z-Roof

- Conductor cross-sections from 0.13 to 16 mm²
- Length reduced by up to 36 %
- Conductor and screwdriver inserted at an angle



Product overview

Rated cross-section	1.5 mm ²		2.5 mm ²		4 mm ²		6 mm ²		10 mm ²		16 mm ²		35 mm ²	
	Standard	Roof	Standard	Roof	Standard	Roof	Standard	Roof	Standard	Roof	Standard	Roof	Standard	Roof
Feed-through terminals														
2 connections	•		•	•	•	•	•	•	•		•	•		•
3 connections	•		•	•	•	•	•	•	•		•			
4 connections	•		•	•	•	•								
2 x 2 connections	•		•											
PE terminals														
2 connections	•		•	•	•	•	•	•	•		•	•		•
3 connections	•		•	•	•	•	•	•	•		•			
4 connections	•		•	•	•	•								
Fuse terminals			•	•					•					
Disconnect test terminal blocks			•	•				•						
Power supply terminals							•				•	•		
Neutral conductor terminals				•		•		•		•		•		•
Two-tier terminals	•		•	•		•		•						
Three-conductor/distribution terminals				•										
Plug-in terminals			•		•									
Miniature block terminals			•											
Initiator / actuator terminals			•											
Terminals with electronic components			•	•		•								

1 The connection

In accordance with the Weidmüller contact principle, the electrical and mechanical functions are also kept separate in the tension clamp connection system, thus ensuring galvanic isolation.

- Tension clamp made from high-quality stainless steel for optimum contact forces
- Copper current bar for minimum through resistance.



2 Plug-in cross-connections

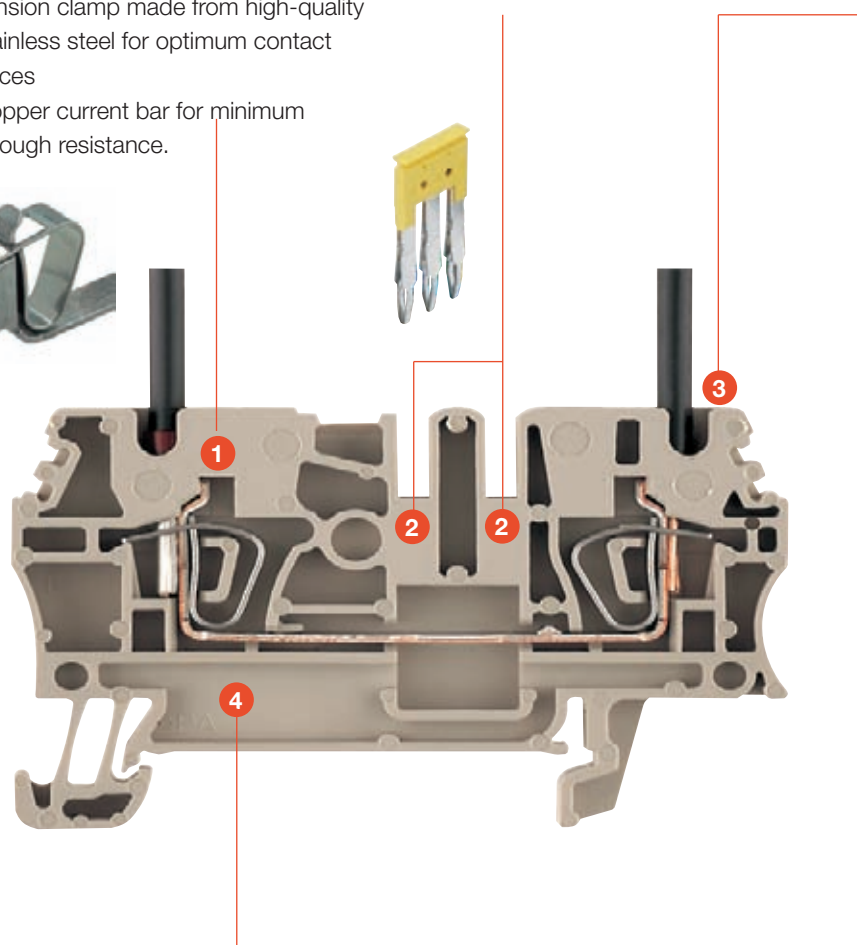
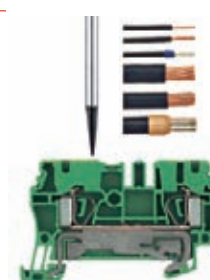
- 2- to 10-pole, or “continuous” for custom assemble.
- Full rated current
- Breakout poles for bypassing other connections.



3 Easy to use

Practical connection thanks to parallel insertion of conductor and screwdriver.

- TOP connection system
- No special tools required
- Integral test point.



The Wemid insulating material

- Non-tracking, CTI 600
- Thermally stable up to 120 °C
- V0 flammability class to UL 94
- Free from halogen and phosphor flame-retardant substances

Clarity means reliability

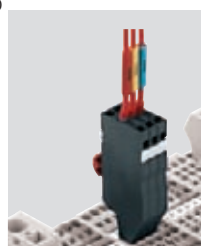
- Easy to use thanks to generous clamping space to IEC 60947-1
- Suitable for connecting conductors from 0.08 to 35 mm²
- For clamping one conductor per clamping point to IEC 60999

4 Reliable contact

- Maintenance-free connection for reliable contact throughout the lifetime of the terminal
- Gas-tight contact zone
- Surface of current bar treated to prevent oxidation
- Absolutely 100 % vibration-resistant.
- High contact forces

Comprehensive accessories

- Test adapter, test plug
- Can be used with standard and group markers
- End plates / partition plates
- Covers
- Reducing sleeves



Standards and directives

The reliable contact and dependability of the Weidmüller systems are verified by:

- Type tests to IEC 60947-7-1/-2/-3 standards
- Supplementary Weidmüller test regimes
- National and international approvals
- ATEX approval
- IECEx approved

